

SERIES 4600 KAM-LOK GATE

TECHNICAL DATA SHEET



Kam-Lok Gate

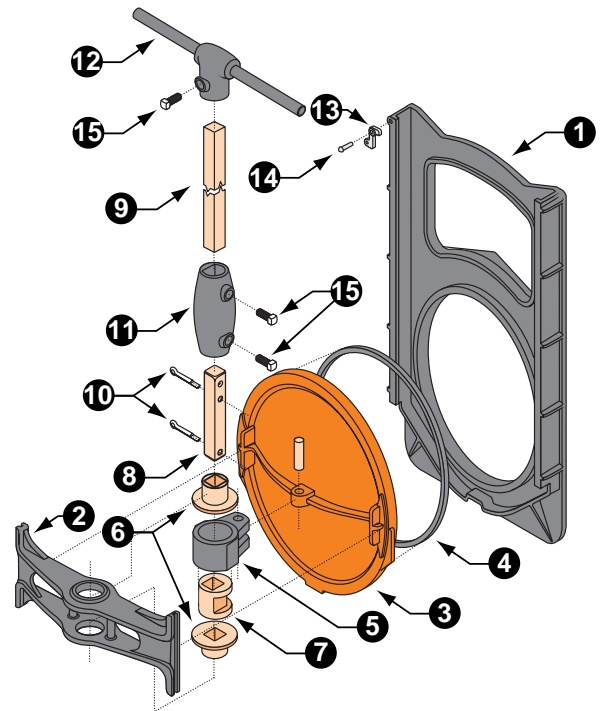
Series 4600 Kam-Lok Gate

Features

- Cam-action locking design applies pressure evenly and surely.
- Bronze bushings provide corrosion protection and smooth operation.
- Tee-handle operator is easily extended to desired height.
- Rugged Cast Iron frame and slide for lasting performance.
- Rubber gasket cover and machined seat assures tight seal.

Material Specifications

Item	Description	Material	Specification
1	Frame	Cast Iron	ASTM A126, Class B
2	Bar	Cast Iron	ASTM A126, Class B
3	Cover	Cast Iron	ASTM A126, Class B
4	Cover Gasket	SBR	ASTM D2000
5	Kam Link	Cast Iron	ASTM A126, Class B
6	Bushings	Brass	ASTM B584, Alloy 844
7	Eccentric Bushing	Brass	ASTM B584, Alloy 844
8	Operating Stub	Brass	ASTM B16
9	Handle Extension	Brass	ASTM B16
10	Cotter Pins	Brass	ASTM B16
11	Handle Coupling	Cast Iron	ASTM A126, Class B
12	Tee Handle	Cast Iron	ASTM A126, Class B
13	Latch	Brass	ASTM B584, Alloy 844
14	Latch Pin	Brass	ASTM B584, Alloy 844
15	Set Screws	Steel, Plated	ASTM A307, A164

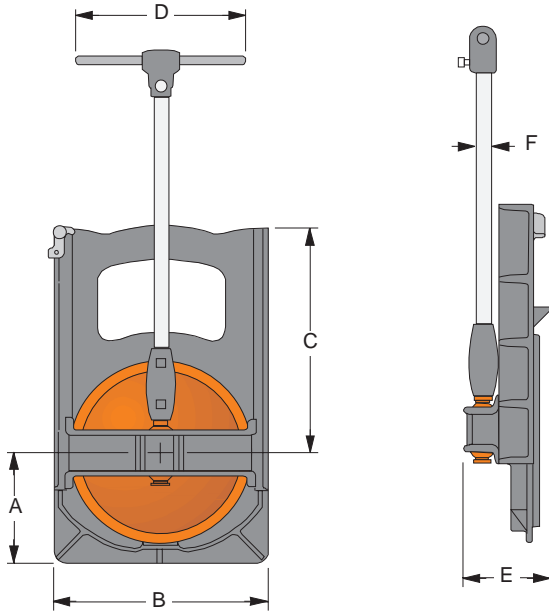


Applications

The Series 4600 Kam-Lok Gate is designed for those applications where a watertight seal is essential but a screw lift is not required, such as irrigation canals and ditches, flood control systems, pipe stands and various low head industrial applications.

SPECIFICATIONS

SERIES 4600 KAM-LOK GATE



Pressure Rating _____

Valve size:

6" thru 16" 5 ft. (2.2 psi)

Installation _____

The Series 4600 Kam-Lok Gate is normally installed by mounting on headwalls or in pipe stands, using steel anchor bolts and grout.

Options _____

- Available 6" - 16"

Dimensional Information

Gate Size	Weight (lbs.)	Dimensions (Inches)					
		A	B	C	D	E	F
6	24.0	4.50	8.75	9.25	10.00	4.50	0.62
8	30.0	5.50	10.75	11.50	10.00	4.75	0.62
10	38.0	6.75	12.75	13.50	10.00	5.25	0.62
12	58.0	8.25	15.25	16.38	11.25	5.50	0.75
14	69.0	9.50	17.75	17.75	11.25	6.00	0.75
16	99.0	10.25	20.38	20.25	11.25	6.62	0.75



Fresno Valves & Castings, Inc.

7736 East Springfield Avenue
P.O. Box 40, Selma, CA 93662, U.S.A.

(800) 333-1658

www.fresnovalves.com